

Charles Universal Broadband Enclosure

CUBE-RL10711AN1

General Description and Installation

1. GENERAL INTRODUCTION	1
1.1. Document Purpose	1
1.2. Product Purpose	1
1.3. Product Mounting and Location	1
2. PRODUCT DESCRIPTION	2
3. INSTALLATION	4
3.1. Inspecting the Product	4
3.2. Following and Using Safety Precautions	4
3.3. Obtaining Tools and Equipment	4
3.4. Preparing the Installation Site	4
3.5. Lifting the CUBE	5
3.6. Mounting the CUBE	5
3.7. CUBE Wiring and Equipment	6
3.8. Conduit Seals	7
3.9. Verifying the Installation	7
4. PERIODIC MAINTENANCE	7
5. TECHNICAL ASSISTANCE AND REPAIR SERVICE	7
6. WARRANTY & CUSTOMER SERVICE	7
7. SPECIFICATIONS	8

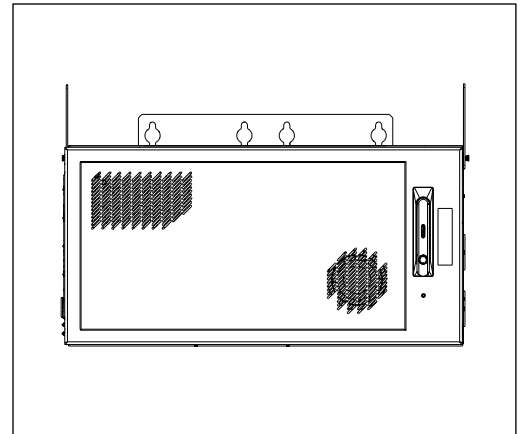


Figure 1 Front View of the CUBE

1. GENERAL INTRODUCTION

1.1. Document Purpose

This document provides general information for the CUBE-RL10711AN1 of the Charles Industries' Universal Broadband Enclosure (CUBE) product line. Figure 1 shows a closed front view of the enclosure.

-NOTE-

Hereafter, the Charles Universal Broadband Enclosure CUBE-RL10711AN1 will be referred to as the "CUBE."

1.2. Product Purpose

The CUBE consists of a protective enclosure for an integrated system of electronic components and equipment that can serve fiber and copper interfaces.

1.3. Product Mounting and Location

This enclosure is suitable for outside plant-type (OSP) locations and those that may require NEC compliance. The outdoor, weather-resistant CUBE is to be mounted on a wall, H-frame or pole. The installer connects the power, fiber and copper connections. Detailed mounting and installation information is covered in Section 3.

2. PRODUCT DESCRIPTION

The CUBE has a single compartment with 6RU of 19" horizontal rack mount spacing and a DC powered heat exchanger. The CUBE ships with either the Dantherm or Vikinor heat exchanger.

Figure 2 shows the CUBE dimensions. Figure 3 shows the main components of the CUBE.

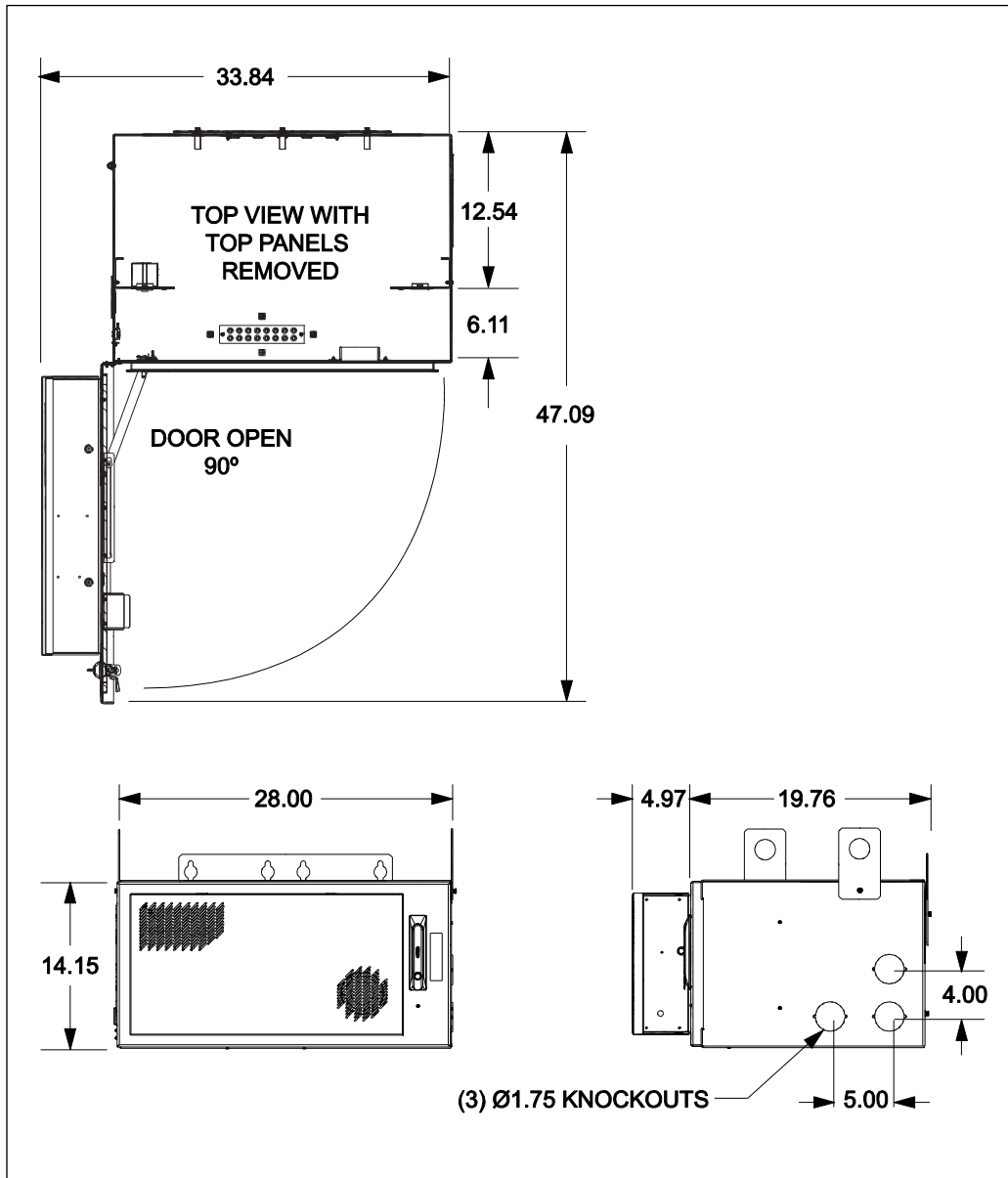


Figure 2 CUBE Dimensions (in inches)
(Dantherm heat exchanger shown; Vikinor unit is mounted in the same position)

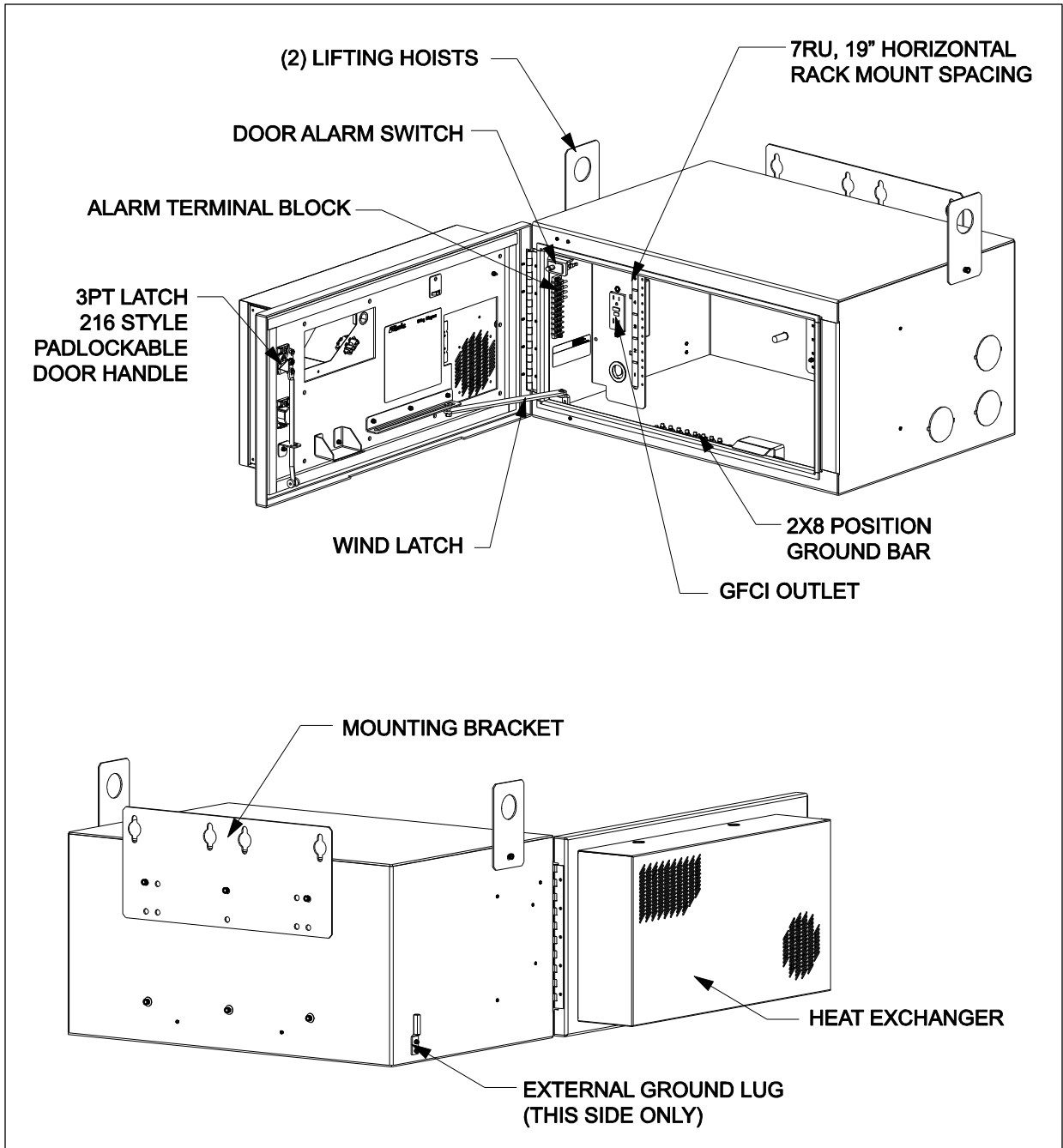


Figure 3 CUBE Components

3. INSTALLATION

3.1. Inspecting the Product

The CUBE is shipped mounted upright on a skid. Remove the bolts, unpack the unit, and dispose of the packaging material.

-INSPECTION NOTE-

Visually inspect the unit for damages prior to installation. If the equipment was damaged in transit, immediately report the extent of the damage to the transportation company.

3.2. Following and Using Safety Precautions

Read the following site and safety tips, cautions, and warnings, then proceed with the paragraphs that follow.

- For installation, follow all National Electrical Codes (NEC) ANSI/NFPA 70, local, environmental, workplace, and company codes, safety procedures, and practices.
- Minimum spacing between the accessories and components and the housing for ITE equipment shall be maintained for safe operation of the equipment when installed in accordance with NEC ANSI/NFPA 70.
- Read all instructions, warnings and cautions on the equipment and in the documentation shipped with the product.
- Always connect ground connections first.
- Do not place this product on weak or unstable surfaces which may allow the product to fall, resulting in potentially serious damage(s) to persons or product.
- Only authorized trained personnel shall install the CUBE.
- In windy conditions, be sure to engage the door latches to secure the door in a stationary position.

3.3. Obtaining Tools and Equipment

Obtain the following recommended or needed items for installing the CUBE.

- Sufficient length and quantities of fiber cable (or pigtails)
- Cable scoring, opening, and cutting tools for cable sheathing, shields, wrappings, strength members and buffer tubes
- Wire strippers
- Crimpers
- Cable, tube, wire, and fiber cleaning materials
- Protective and/or insulated work gloves
- Safety glasses
- Tape measure
- Marking utensil
- #6 ground wire or rod and earth ground materials
- Bond strap (optional, from cable bond clamp to bond post)
- Any exterior cable strain relief, per company practice
- Slotted, hex, and Phillips screwdrivers
- Torque wrench
- Assorted cable ties, clips, or fasteners (optional)
- Can wrench (216 type tool)
- Derrick for lifting
- Level

3.4. Preparing the Installation Site

Observe the following site preparation recommendations.

- Leave adequate horizontal and vertical space between multiple installations to allow for proper cable access, as well as enough room around the enclosure to open the door(s).
- The site must meet minimal personnel and equipment safety requirements.
- The distance from the cable entry point should be consistent with local installation practices.
- The wall, H-frame or pole must be able to support the weight of the CUBE.
- Run all fiber and copper facilities to the site.

3.5. Lifting the CUBE

See Table 1 for CUBE weight. Charles recommends the following procedure for lifting the CUBE.

3.5.1. Required Equipment

- One derrick (crane) capable of lifting the CUBE
- Spreader bar
- Two lifting slings or chains with each having a 2,500 lbs. capacity
- Connecting links to attach slings to the CUBE’s lifting brackets
- 75-ft. long tagline rope

Insert the lifting sling connecting links securely through each of the lifting brackets as shown in Figure 4.

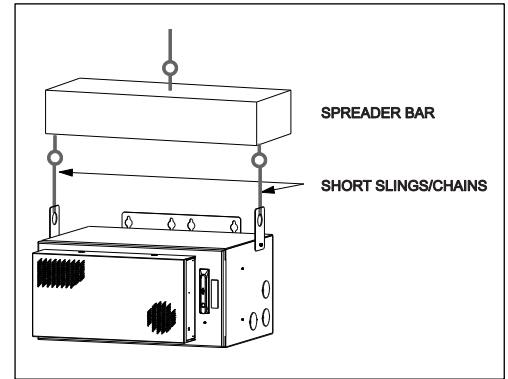


Figure 4 Lifting the CUBE

3.5.2. Warnings and Specific Safety Precautions

	WARNING	Improper hoisting equipment and unsafe lifting procedures can result in serious injury or death
--	----------------	--

Observe the following local safety procedures when performing the tasks in this section.

- Keep the CUBE away from any power lines.
- Keep bystanders away from the work operations at all times.
- Only trained operators shall operate the crane for lifting and setting the CUBE.
- Do not suspend loads over people or equipment.
- All persons working with hoisting equipment shall wear standard safety gear according to local practices including safety helmets and steel-toed shoes.
- Do not operate the hoisting equipment until all stabilizer are extended and in firm contact with the ground or adequate support structure.
- Do not attempt to retract or extend the stabilizers while a load is suspended.

3.6. Mounting the CUBE

Enclosures can be mounted on a wall, H-frame or pole. Refer to Figure 2 for mounting dimensions for positioning mounting hardware. Charles recommends using a minimum SAE Grade 2, 3/8” diameter, corrosion-resistant bolts, washers and nuts for all mounting applications. Bolts need to be of sufficient length depending on which type of mounting is used.

The CUBE ships with the mounting brackets facing toward the center. For wall, H-frame or pole mounting, reorient the brackets prior to mounting as shown in Figure 2, and torque the mounting bracket screws to a value of 180 in-lbs.

A minimum of 3/4” thick plywood or similar surface is required for wall mounting.

Charles kit 97-CABPMTKIT is available for pole-mount applications.

Charles kit 97-001971-A contains hardware for mounting to H-frame unistruts.

3.6.1. Torque Requirements

Torque all hardware as shown below (unless otherwise noted). These values apply to SAE Grade 1 & 2 Low Carbon Steel, ASTM A307 Low Carbon Steel, and Stainless Steel Grade 18-8.

Thread Size	In-lbs	Ft-lbs
4-40	4±10%	
6-32	8±10%	
8-32	16±10%	
10-32	26±10%	
12-24	50±10%	
1/4-20/M6	60±5%	5±5%
5/16-18	125±5%	10.4±5%
3/8-16	180±5%	15.0±5%
1/2-13	500±2%	41.7±2%
5/8-11	1000±1%	83.3±1%

3.7. CUBE Wiring and Equipment

After the CUBE is properly mounted in the desired location, apply No-Ox where bus bar and other 2-hole lug connections will be made. Install ground and power connections. Always ground the equipment first, before making any other connections.

	WARNING	Perform all bonding and grounding connections prior to any electrical and communications connections.
--	----------------	--

In order to prevent condensation prior to being placed in service, do not remove the desiccant until the CUBE is sealed and power is applied. A basic electrical diagram is shown in Figure 5.

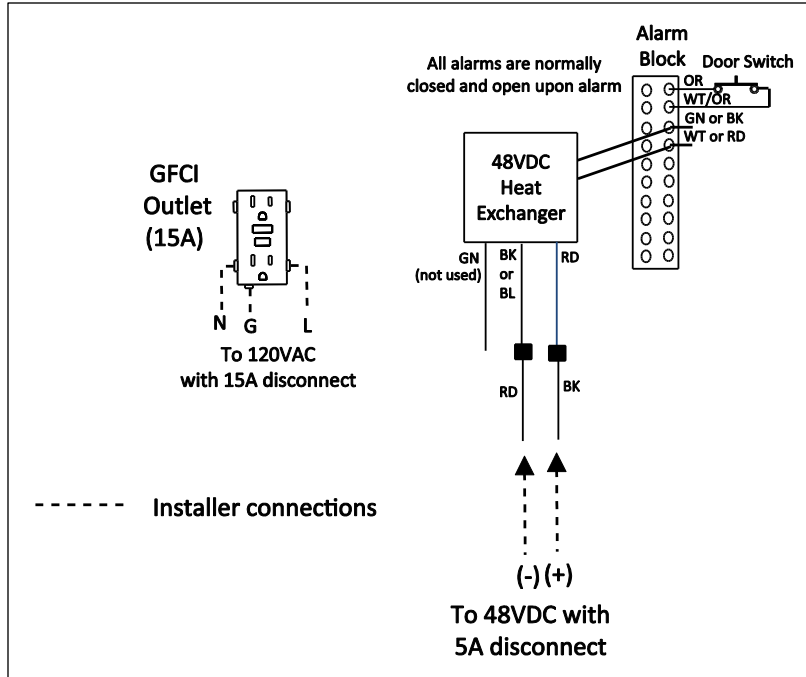


Figure 5 Electrical Diagram

3.7.1. Ground Connection

Use the 2x8 position ground bar provided in the compartment for all grounding of internal equipment. External ground lugs are available on the sides of the compartment for connecting a site ground wire.

3.7.2. Heat Exchanger Operation

The 580W DC powered heat exchanger in the equipment compartment has a fan speed controller and includes an internal and an external fan. The fans' speed increases with increasing ambient temperature. Fan settings are defined below.

Fan Setting	Internal	External
Turn-on Setting	-40°C	30°C
Medium Temp Setting	30°C	40°C
High Temp Setting	45°C	55°C

For more information, refer to the heat exchanger documentation found inside the CUBE.

-NOTE-

Changing the speed controller default factory set points can lead to system performance issues, such as equipment failures, increased power use, unnecessary alarms, noise, condensation build up, fan failure caused by excessive runtimes and vibration. Avoid placing items in front of the heat exchanger's return and supply vents. Maintain a minimum of 2" clearance to enable proper air flow.

3.7.3. Alarm Block Connections

A 10-position, labeled alarm block monitors components in the equipment compartment. See the electrical diagram for information about alarm connections. All connections are normally closed and will open upon alarm.

3.7.4. Fiber and Copper Entry

The CUBE has three Ø1.75" knockouts on the right side that accommodate Ø1.25" conduit fittings. See Figure 2 for knockout locations.

3.8. Conduit Seals

All conduit openings on the CUBE must be completely sealed with a duct seal compound to prevent moisture from entering the CUBE. Use a moldable, flame-retardant putty style duct seal material. Do not use an expanding foam seal. Mold the putty so that the open space around the wire or conduit is completely sealed, as shown in Figure 6. If the openings must be accessed at any time, remove the putty and set it aside. When work is complete, re-mold the putty to re-seal the opening.

3.9. Verifying the Installation

Verify that earth ground and all grounding and bonding is complete and functional. After verifying that all installer connections are secure and complete, apply voltage.

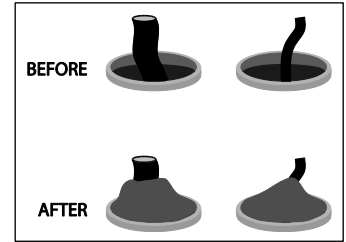


Figure 6 Applying Putty Seal

4. PERIODIC MAINTENANCE

In the event that the enclosure must be opened in freezing conditions, use a narrow, pointed metallic object such as a screwdriver or chisel, along with a non-metallic device like a rubber mallet, to remove excessive ice buildup around the door and locking mechanism. A commercial aerosol de-icer spray can be used to free up locks and latches if needed. Use protective gloves and safety glasses when applying de-icer sprays.

Reset the GFCI duplex receptacle periodically to ensure it is working. The unit meets UL-943, which requires an auto-monitoring (self-testing) feature. A flashing or solid red LED indicates a fault. If the unit continues to show a fault after resetting, replace the unit.

The heat exchanger requires no scheduled maintenance other than cleaning the fans and heat exchanger core if they become contaminated with dust or residue. Remove the cover by removing the screws on the outside. Examine periodically to determine the required cleaning periods based on the installed environmental conditions.

5. TECHNICAL ASSISTANCE AND REPAIR SERVICE

For questions on product repair or if technical assistance is required, contact Charles Technical Support.

847-806-8500

techserv@charlesindustries.com (email)

<http://www.charlesindustries.com/techserv.htm>

6. WARRANTY & CUSTOMER SERVICE

Charles Industries LLC offers a one-year warranty on the CUBE product. The Charles warranty is limited to the operation of the CUBE hardware as described in this documentation and does not cover equipment which may be integrated by a third party. The terms and conditions applicable to any specific sale of product shall be defined in the resulting sales contract. For questions on warranty or other customer service assistance, contact your Charles Customer Service Representative.

847-806-6300

mktserv@charlesindustries.com (email)

http://www.charlesindustries.com/main/telecom_sales_support.htm

7. SPECIFICATIONS

Physical	
Dimensions	14"Hx28"Wx20"D
Weight	Approx. 95 lbs. as shipped
19" Equipment Rack Space and Hole Spacing	10.50" (6RU) rack spacing with tapped EIA #12-24 mounting holes
Materials	0.125" aluminum
Color	Off-white
Electrical	
Bonding and Grounding	One 2x8 position ground bar inside cabinet, one external ground lug on left side
Cable Entry	See Figure 2 and section 3.7.5
Thermal	
Heat Exchanger	580, 48VDC, Dantherm PS023017Z-S OR 48VDC Vikinor 1805040
Maximum Heat Dissipation	530W @ 19°C above ambient with solar
Environmental	
Operating Temp. Range, Outside Enclosure	-40° to +115°F, -40° to 46°C
Operating Temp Range, Inside Enclosure	-40° to +149°F, -40° to 65°C
Humidity	0 to 95% (non-condensing)
Altitude	Up to 2,000 meters (6560 feet)
Kits and Replacement Parts	
Touch-up Paint	02-000290-0
216 Type Security Tool	07-002070-0
Pole Mounting Kit	97-CABPMTKIT
H-frame Hardware Mounting Kit	97-001971-A
Swing Handle	39-000148-0
2-Wire Door Alarm Switch (White)	17-400314-0
15A GFCI Outlet	04-100207-0

Table 1 CUBE Specifications